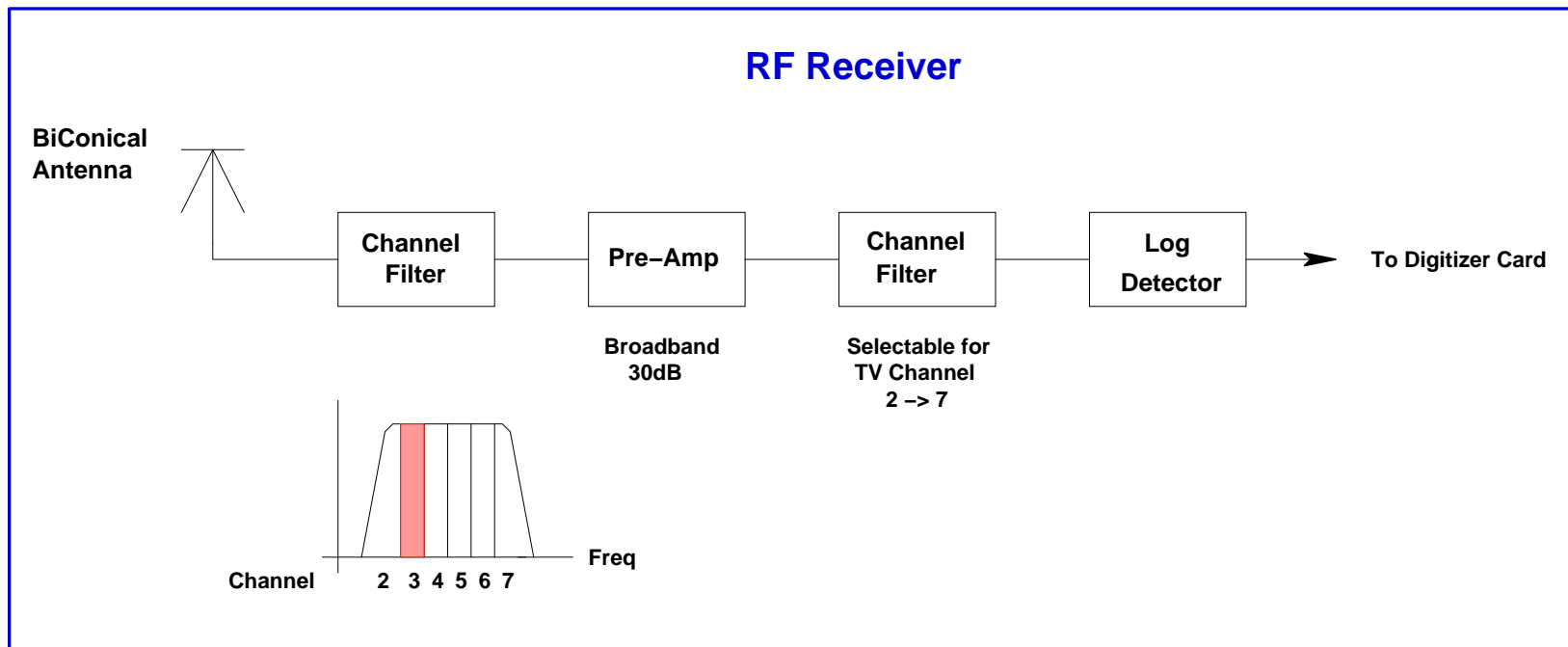
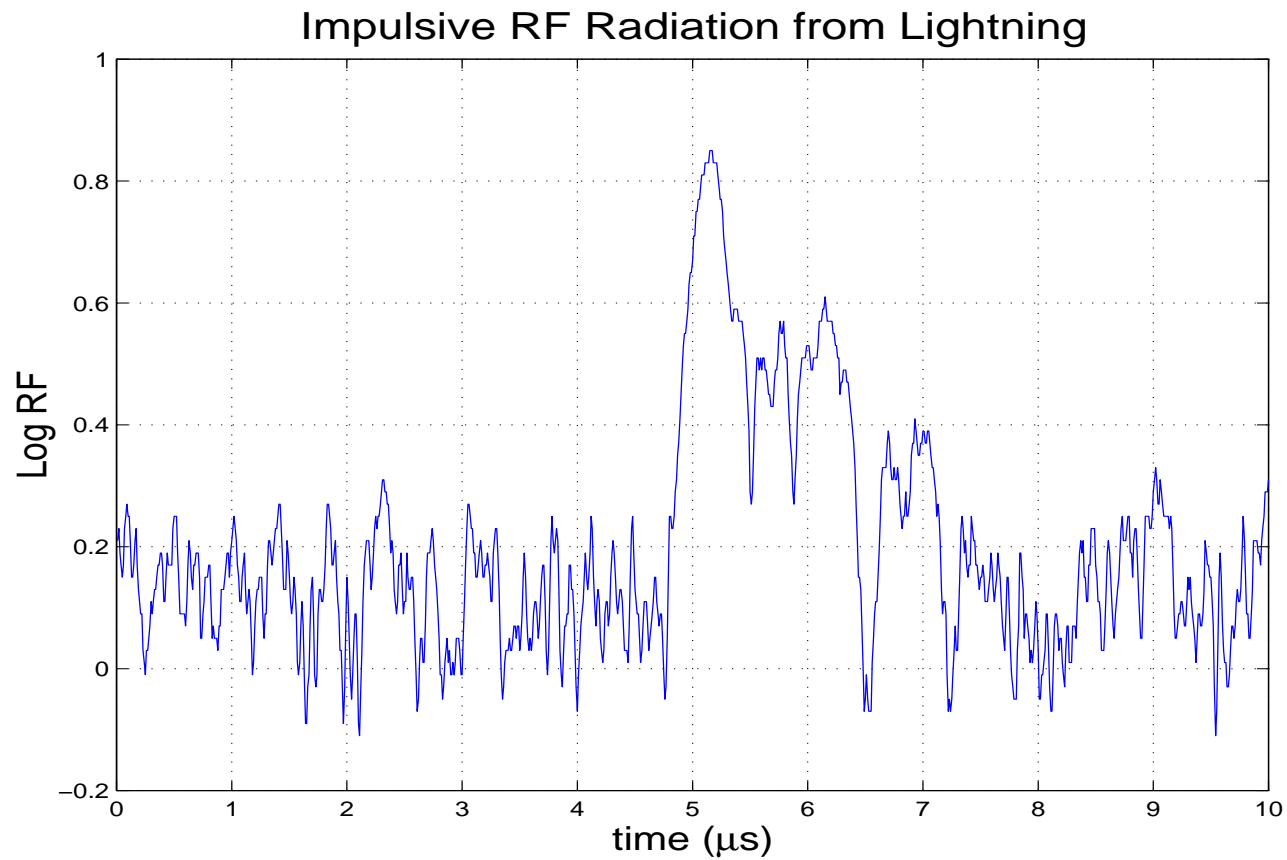


RF Front End

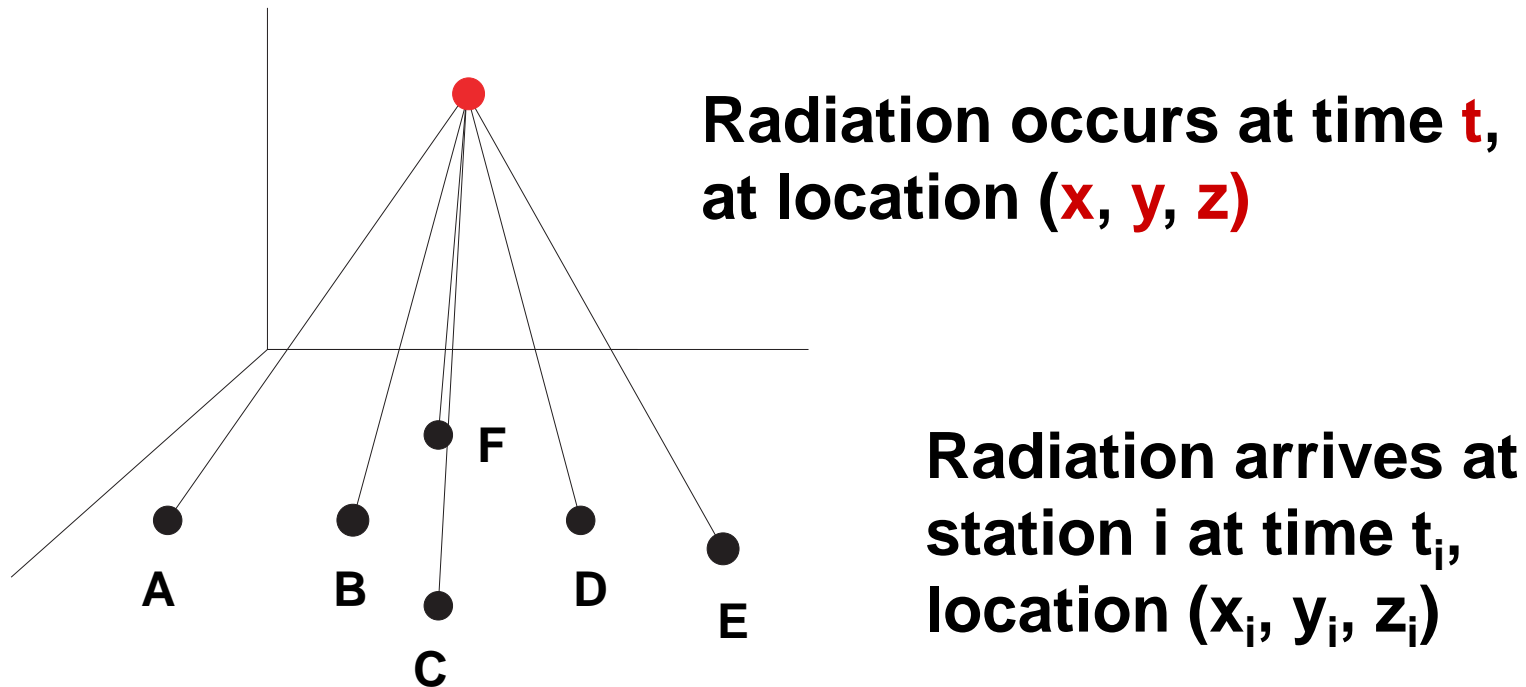


Impulsive 60 MHz RF Radiation from Lightning



Time of Arrival Lightning Mapping System

- Measure time RF pulse arrives at multiple stations
- Determine position and time of source
- Locate hundreds to thousands of sources per flash



$$t_i = t + \frac{\sqrt{(x - x_i)^2 + (y - y_i)^2 + (z - z_i)^2}}{c}$$

